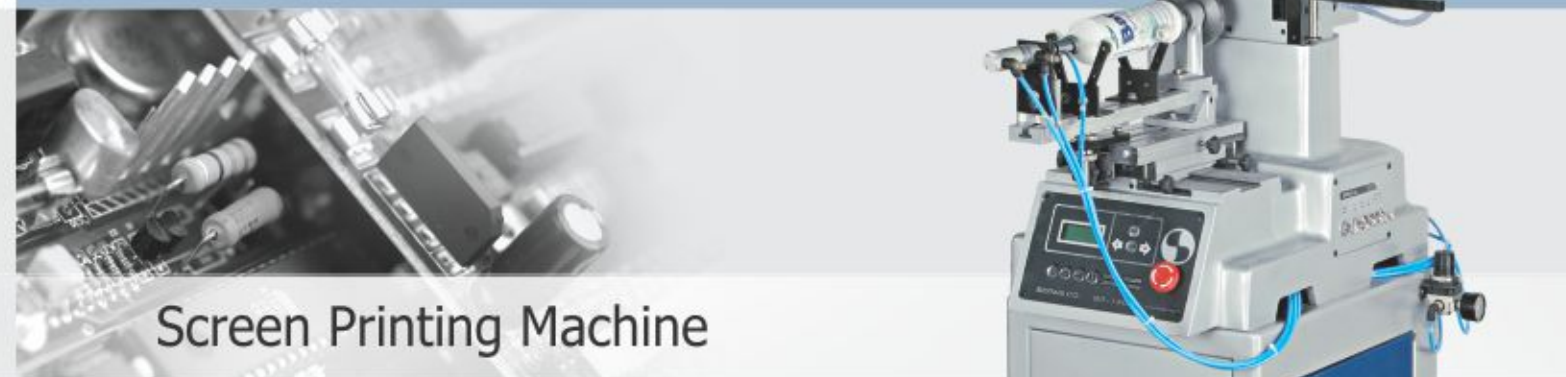
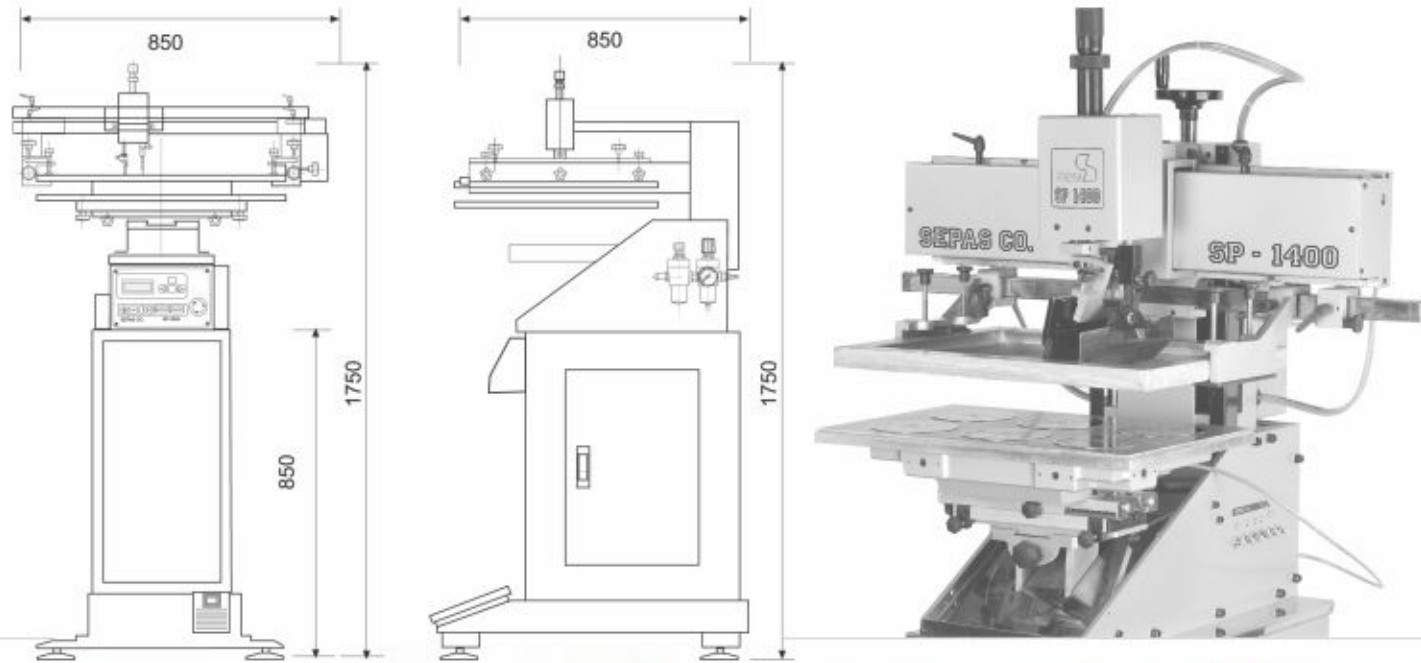


Industrial printing



## Screen Printing Machine

### Optional Accessories

- Vacuum Table for Flat Printing
- Round Printing Table & Accessories

### Features

- Versatile user-friendly machine for Flat and Round screen printing
- Pneumatic power operation
- Adjustable timing for printing cycle
- Continuous printing action with pause/resume
- Multi language display
- Microprocessor, membrane switch control panel
- Automatic error finder
- Emergency interrupt
- Single-cycle mode
- Independent ink and print stroke settings
- Simple & accurate squeegee pressure adjustment
- Perfect synchronization of screen and product rotation by rack and pinion gear attachment
- Quick change over for round or flat printing
- Light & Rigid aluminium casting machine frame

SP-1400 takes the best principles of our existing machines, in combination with a healthy dose of innovation, to create a whole new class of silk screen printing equipment.

### Technical Specifications

Max. Frame Size	480 x 680 mm
Max. Print Area	300 x 400 mm
Max. Product Diameter	Ø110
Max. Speed	800 Cycle/Hr
Power	220V 50/60Hz 50W
Air Pressure	6-8 Bar/100PSI
Air Consumption	150 Litre/min. (approx)
Size (LxWxH)	900x850x1750 mm
Weight	150 Kg (approx)

Sepas F.Z.C  
No 18, Block D, Ajman Free Zone P.O.Box: 21009, Ajman, UAE  
Tel: +971 (0)6 7447852 Fax: +971 (0)6 7447853 Email: uae@sepas.com www.sepas.com