

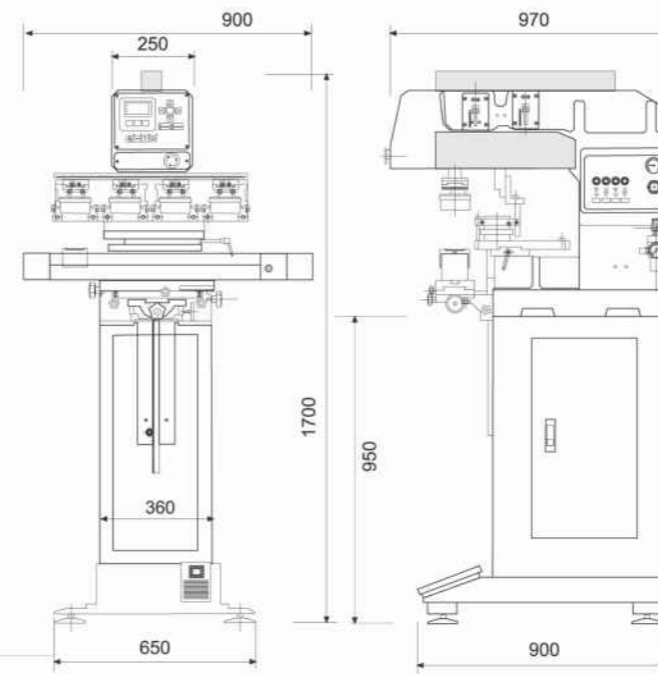
Pad Printing Machine

- PLC Based 4 Color Pad Printer

Features

- Electro-pneumatic machine with electronic control of the axes,
- Manufactured to satisfy any printing need on large items up to 4 colors
- Aluminum Magnetic Ink Cup
- Ceramic rings for a printing area of 120mm diameter
- Axes movements are controlled by PLC
- User Friendly touch screen interface for easy programming
- Servo Motor Shuttle for fast and accurate and multi-color printing.
- Multi Language Display
- Easy and accurate working table adjustment
- Automatic Error Finder
- Coated aluminum parts for rust protection
- Made of light & rigid aluminum

Industrial printing



Access to Printing Solutions

Sepas F.Z.C

No 18, Block D, Ajman Free Zone P.O.Box: 21009, Ajman, UAE

Tel: +971 (0)6 7447852 Fax: +971 (0)6 7447853 Email: uae@sepas.com www.sepas.com

PP150S is the modified and upgraded version of the standard PP150. PP200S is a PLC based electro-pneumatic machine with electronic control of the axes, created to satisfy any accurate printing need on big items up to 4 colors. The user friendly programmable multi language display along with the Servo Motor Shuttle allows the operator to obtain the most accurate multi-color printing jobs.

Technical Specifications	1 Colour	2 Colour	3 Colour	4 Colour
Shuttle Stations	Adjustable			
Stations Gap	200 mm			
Plate Size (CMIC)	300 x 790 mm			
Max. Product Size	300 x 600 mm	100 x 250 mm		
Max. Print Area (CMIC)	Ø 120 mm			
Max. Speed	900 x Cycles/Hr	800 x Cycles/Hr	700 x Cycles/Hr	600 x Cycles/Hr
Max. Pad Pressure	1800N@6 Bar			
Air consumption	350 Litre/min. (approx)			
Power	220V 50/60Hz 50W			
Size (LxWxH)	1260x1210x1900 mm			
Weight	240 kg (approx)			