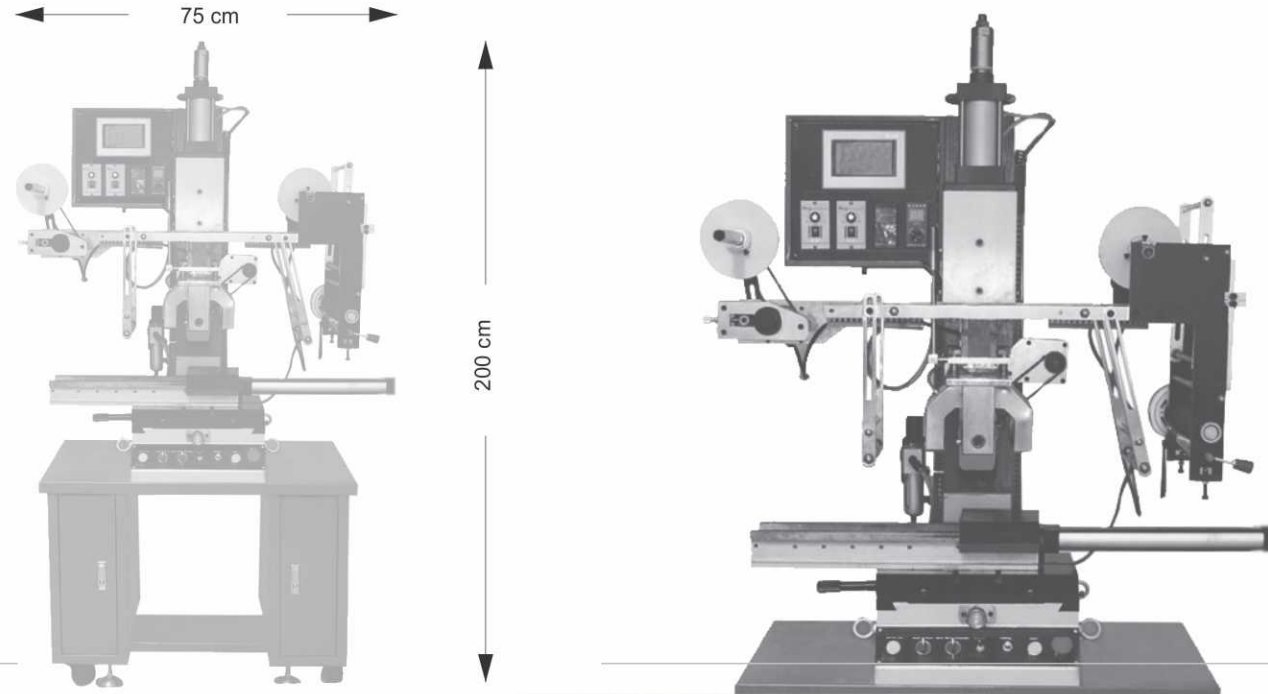


Industrial printing

75 cm

200 cm



Access to Printing Solutions

Sepas F.Z.C

No 18, Block D, Ajman Free Zone P.O.Box: 21009, Ajman, UAE

Tel: +971 (0)6 7447852 Fax: +971 (0)6 7447853 Email: info@sepas.ae www.sepas.ae

Our standard foiling machine is a versatile semi-automatic machine designed to print different families of flat, round and curve glass bottle using rolling stamping which is ideal for decorating several different products after the screen printing is done

Technical Specifications

Max. transfer printing dimensions	16 cm x 30 cm
Max. speed	15 times / minute
Max. height	15 cm
The dimensions of the machine	L130 cm x W75 cm x H200 cm
Weight of the machine	280KG
Pressure of gas when used	4-6 bar
Heating power	2 KW
Temperature adjustment range	0-300

FOILING
MACHINE



Foiling Machine For Flat & Round Products

Features

- Versatile user-friendly machine for Flat and Round foiling printing
- Pneumatic power operation
- Adjustable timing for printing cycle
- Continuous printing action with pause/resume
- Microprocessor, membrane touch control panel
- Simple & accurate rubber silicon pressure adjustment
- Automatic photoelectric orientation, double-speed motor
- High accuracy in orientation
- Material feeding draw roll, electromagnetic on-off strain control
- Material feeding strain torque, adjustable at random
- Circumference connection and design jointure can be made persistently.
- **Unique: Equipped with Electronic Tension Unit for adjustment of Foil**